

## Description:

The RED Series Enclosure Line is designed to be mounted in the interior of the wall during "rough-in" on 16" centers. The enclosure is constructed of all aluminum extrusions which makes it light weight and very rugged.

This enclosure features a lower compartment that is lockable to house an alarm panel.

Located in the bottom of the enclosure is a knockout for a standard electrical box. There are 3 1 3/4" knock-outs on the top of the enclosure and 2 located in the bottom. Three plastic grommets are included to protect the wiring from the metal edges. Alternately, conduit fittings and conduit may be run to the knockouts.

The "Flexstall" screw rail track system in the back of the enclosure accommodates standard mounting spacings of 3" and 6".

The access door has a built-in hinge, a quick shut latch and comes with commercial powder coat finish in either White or Tan (add -PW or -PT to the end of the part

Model#	Size	Description
RED1212	24"	12"Bottom & 12"Top Compartment
RED2412	36"	12"Bottom & 24"Top Compartment
RED2424	48"	24"Bottom & 24"Top Compartment



## RED Series In-Wall Dual Compartment Structured Wiring Panel



[HTTP://www.Novus-Technologies.com](http://www.Novus-Technologies.com)

P/n REDIN-1

## Installation:

### Step 1 "Rough-In"

Install the base between the studs as shown using 4 sheet rock nails or screws through the mounting strips. If electrical outlet is desired, remove the knockout at the bottom of the enclosure and attach a metal switch box. Remove knockouts for the cable entry and place conduit fitting or grommet in the hole(s).

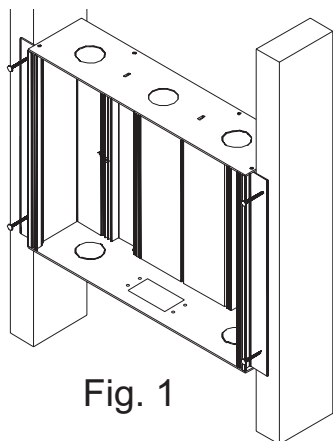


Fig. 1

### Step 2 "Finish"

After pre-wire is complete, cut the sheet rock to clear the protruding part of the box and secure the sheet rock.

**\*Note:** Do not leave a gap between the box and the sheet rock.

**\*Note:** A piece of cardboard cut from the packing carton will make a good mud/paint shield to protect your installation during finish operations.

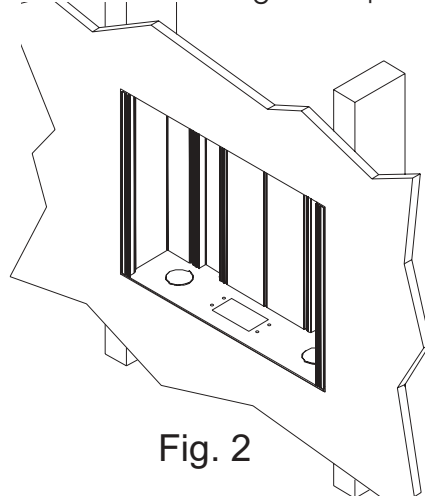


Fig. 2

### Step 3 "Hook-Up"

Mount the equipment to the back panel and make all wiring connections. Attach the door frame to the box using the screws taped to the back of the door as shown. Larger enclosures may have 6 screws.

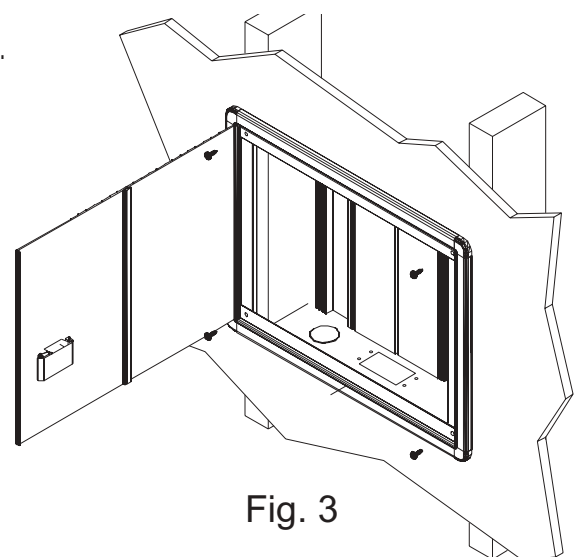


Fig. 3

# Applications:

## Typical Modules Install

