

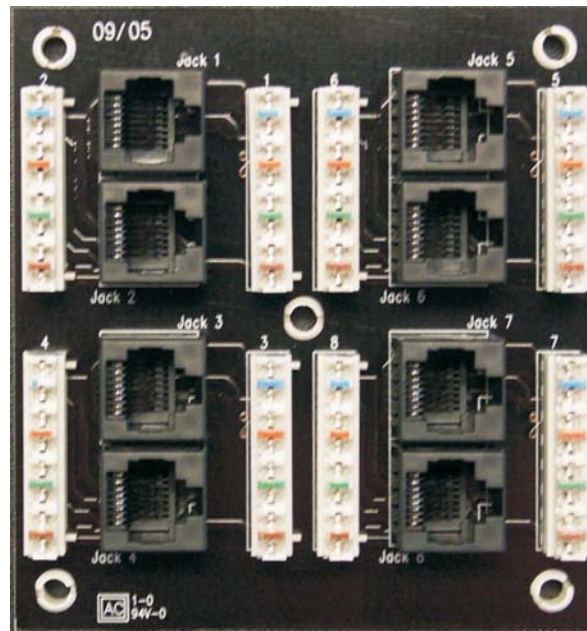
Description:

The RPD019 is designed to be the central termination point for all data and is Cat5e rated. Each port may be reconfigured as the consumer's needs change by simply switching the jumpers. The RPD019 provides for 8 data outlets. The mounting holes are on a 3" center and the board may be positioned horizontally or vertically.



Compact Data Module

Part No.
RPD019

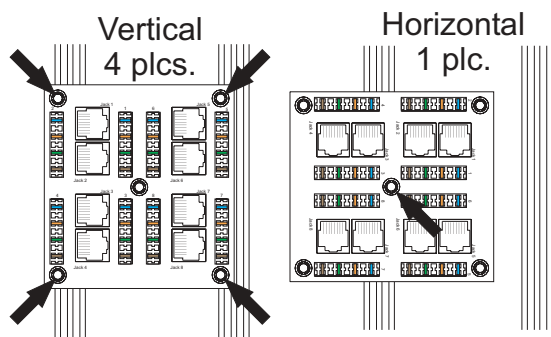


[HTTP://www.Resi-Link.com](http://www.Resi-Link.com)

P/n INRPD019-1

Mounting:

The module can be mounted vertically or horizontally in the Resi-Link™ enclosure line. Four screws are supplied with the module. Use four screws for vertical mounting and one screw for horizontal. The screws fit through the standoffs and are then fastened into the slots in the back of the enclosure (see arrows on diagrams).



Wire Installation:

Caution:

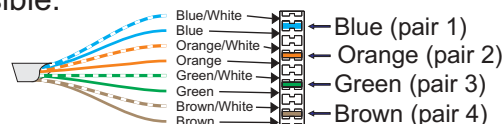
- Never install telephone wiring in wet locations during lightning storms.
- Never touch uninsulated telephone wiring or terminals unless it has been disconnected from the main.

Use of any item or tool other than a 110 punch down tool may damage the contacts or housing of the connector.

Tools Required:

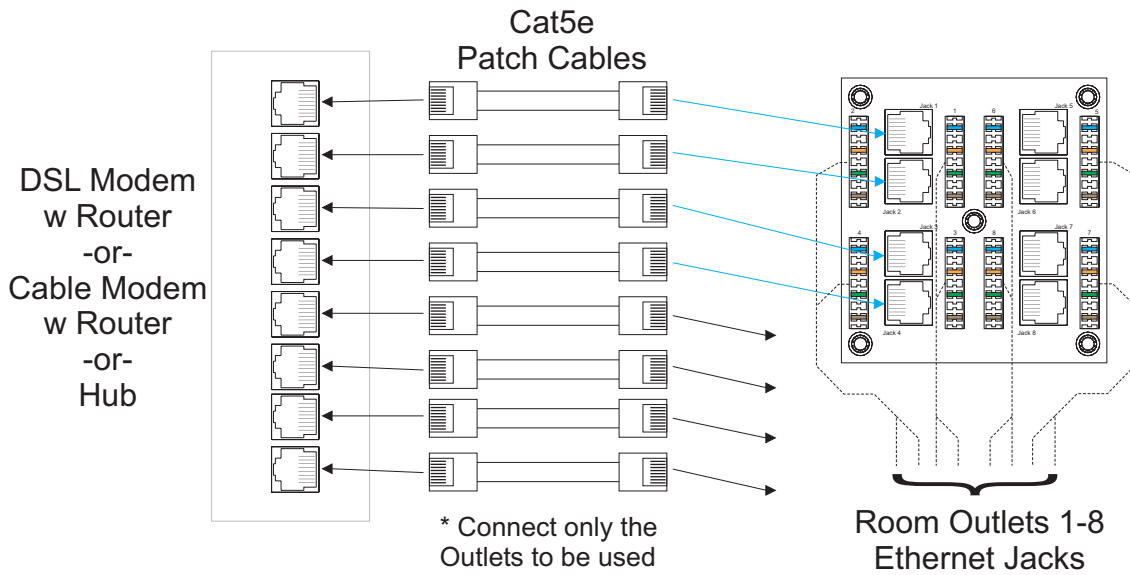
- Phillips Head Screwdriver
- 110 Punch Down Tool
- Wire Cutters

Connect each Cat5e wire to a 110 terminal. Follow standard color codes. Keep the untwisted portion of the pairs as short as possible.



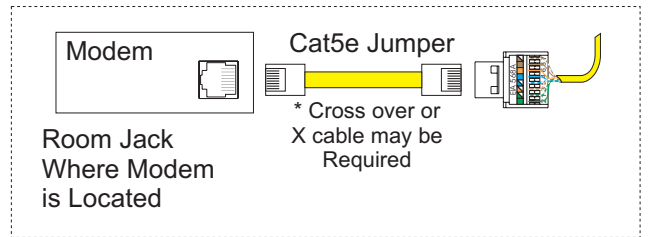
Applications:

Modem Hook-up



External Modem Hook-up

It is possible to locate the modem for the network at one of the room jacks. In the example to the right, the modem is located at the jack hooked to port 5 (in yellow). Attach the modem output ethernet to the wall jack using a Cat5e patch cable. It may be necessary to utilize a crossover cable (X cable). Refer to the device's manual for details. Use only one cross over cable in the path between the modem and the hub.



Locate the port on the module that the modem is now hooked to and place a Cat5e patch cable between that port and the input on the hub. Refer to the manual for the hub, typically if the device has a port labeled "Input" the cross over cable will not be needed. If there is no input port on the hub, hook to one of the other ports. The cross over cable will likely be needed. Newer devices auto-sense the cable and change automatically removing the need of cross over cables.

