

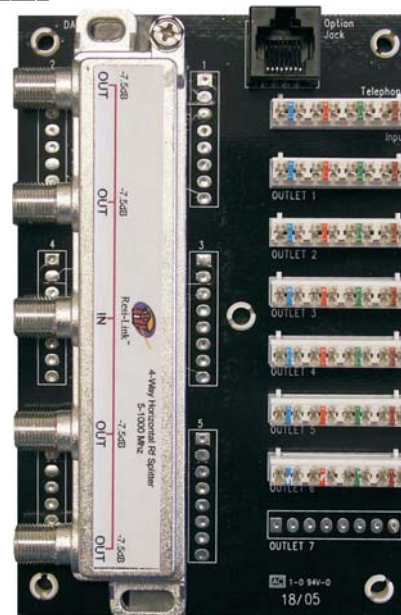
Description:

The RPT009 is designed to be a low cost central termination point for 4 incoming Telco lines, 6 telephony jacks and 4 CATV video ports. The mounting holes are on a 3" center and the board may be positioned horizontally or vertically.



Telco/Video Module

Part No.
RPT009



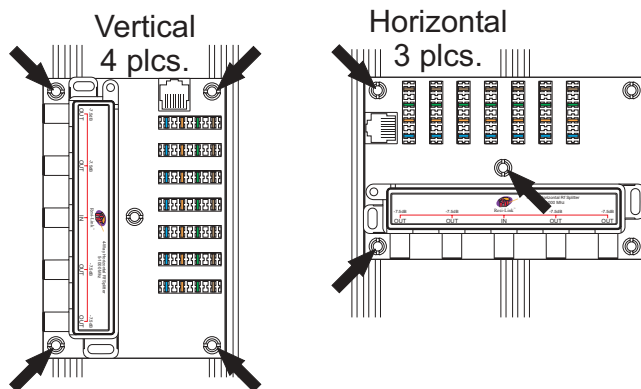
**(4) Incoming Telco Lines,
(6) Telephone Outlets,
and (4) 75 ohm Video Ports**

[HTTP://www.Resi-Link.com](http://www.Resi-Link.com)

P/n INRPT009-1

Mounting:

The module can be mounted vertically or horizontally in the Resi-Link™ enclosure line. Four screws are supplied with the module. Use four screws for vertical mounting and one screw for horizontal. The screws fit through the standoffs and are then fastened into the slots in the back of the enclosure (see arrows on diagrams).



Wire Installation:

Caution:

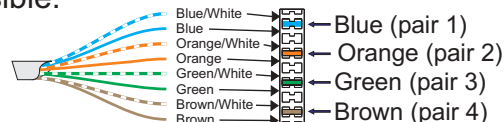
- Never install telephone wiring in wet locations during lightning storms.
- Never touch uninsulated telephone wiring or terminals unless it has been disconnected from the main.

Use of any item or tool other than a 110 punch down tool may damage the contacts or housing of the connector.

Tools Required:

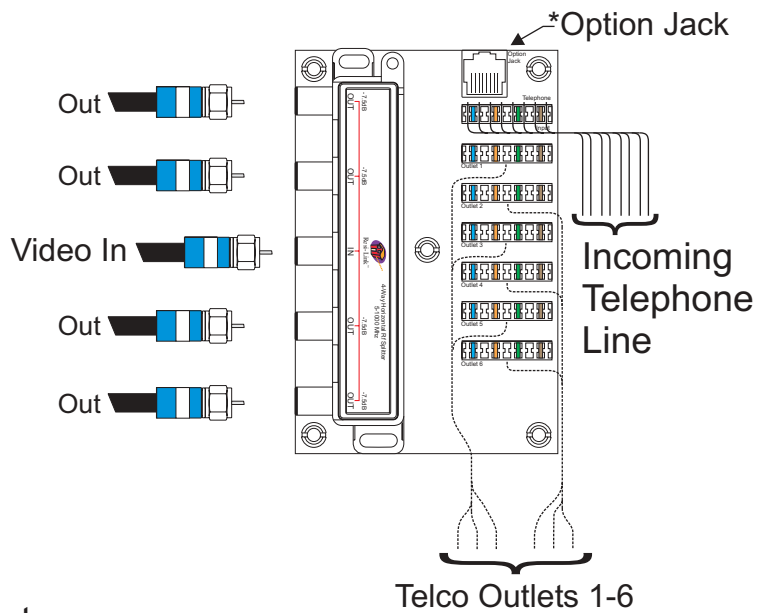
- Phillips Head Screwdriver
- 110 Punch Down Tool
- Wire Cutters

Connect each Cat5e wire to a 110 terminal. Follow standard color codes. Keep the untwisted portion of the pairs as short as possible.



Applications:

Standard Hook-up



Notes:

The Option Jack may be used to connect a DSL Modem or to Jumper to an additional Telco termination module to add additional room outlets.

Any unused video ports should be terminated with a 75 ohm termination cap.