

## Description:

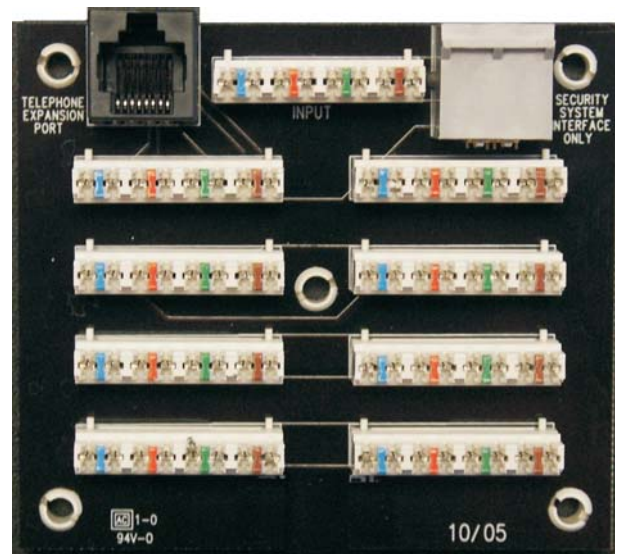
The RPT4/8-RJ31X is designed to be the central termination point for all telephone outlets in a home or apartment. It is also equipped with an RJ31X jack for security system interfaces. The RPT4/8-RJ31X provides for 8 telephone outlets and landing 4 incoming telephone pairs. The mounting holes are on a 3" center and the board may be positioned horizontally or vertically. The Telephone Expansion jack allows for a VoIP interface or the hook-up of a DSL modem. It can also allow the incoming phone lines to be jumpered to a second module to add additional outlets.

**\*Do Not** plug anything other than an alarm connection (dialer) into the RJ31X jack (grey).



## Compact Voice Module

Part No.  
RPT4/8-RJ31X



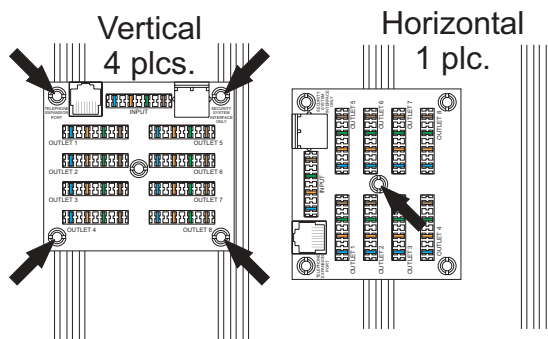
## Voice Module with RJ31X Jack and VoIP/Expansion Jack

[HTTP://www.Resi-Link.com](http://www.Resi-Link.com)

P/n INRPT4\_8-RJ31X-1

## Mounting:

The module can be mounted vertically or horizontally in the Resi-Link™ enclosure line. Four screws are supplied with the module. Use four screws for vertical mounting and one screw for horizontal. The screws fit through the standoffs and are then fastened into the slots in the back of the enclosure (see arrows on diagrams).



## Wire Installation:

### Caution:

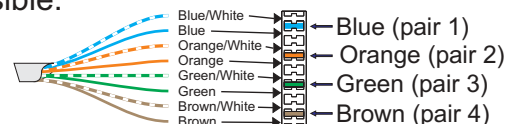
- Never install telephone wiring in wet locations during lightning storms.
- Never touch uninsulated telephone wiring or terminals unless it has been disconnected from the main.

Use of any item or tool other than a 110 punch down tool may damage the contacts or housing of the connector.

### Tools Required:

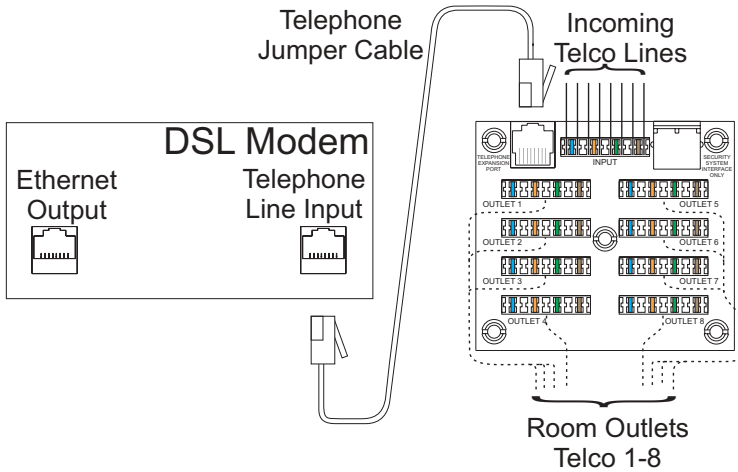
- Phillips Head Screwdriver
- 110 Punch Down Tool
- Wire Cutters

Connect each Cat5e wire to a 110 terminal. Follow standard color codes. Keep the untwisted portion of the pairs as short as possible.

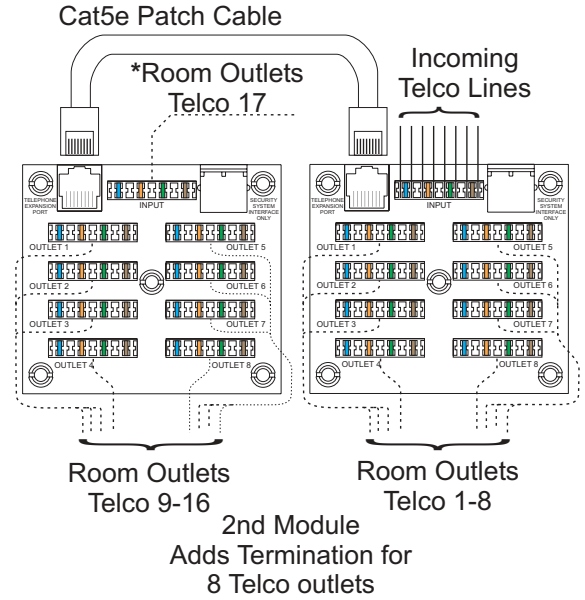


# Applications:

## DSL Modem Hook-up

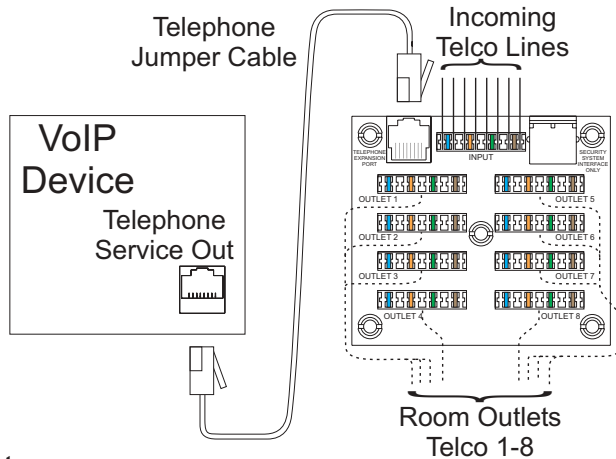


## Adding Additional Outlets



\*The input 110 connector of the second module can be used for an additional telephone outlet for a total of 17.

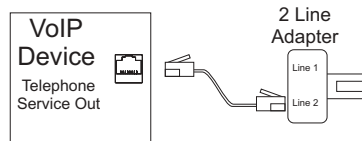
## VoIP Hook-up



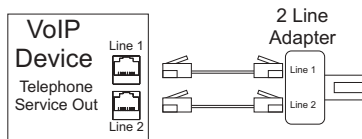
### Note:

When VoIP is the only telephone line for the residence, disconnect the telco service at the service jack at the side of the home.

If the VoIP service will be used as line 2 in conjunction with normal Telco service as line 1, attach a 2 line adapter to the expansion jack on the module and plug the VoIP line into the line 2 port of the adapter.



If 2 VoIP lines are being activated, attach both lines from the VoIP device to the 2 line adapter and plug into the expansion jack.



## RJ31X Jack for alarm

