

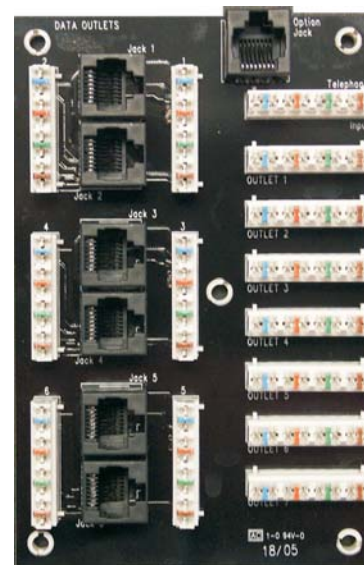
Description:

The T7D6R is designed to be the central termination point for all telephone and ethernet outlets in a home or apartment. All terminations are made to TIA/EIA-568A standards. Cat5e wire is required. The T7D6R provides for 7 telephone outlets and 6 Ethernet (data) outlets. The mounting holes are on a 3" center and the board may be positioned horizontally or vertically. The Option Jack allows for a VoIP interface or the hook-up of a DSL modem. It can also allow the incoming phone lines to be jumpered to a second module to add additional outlets.



Voice and Data Combination Module

Part No.
T7D6R



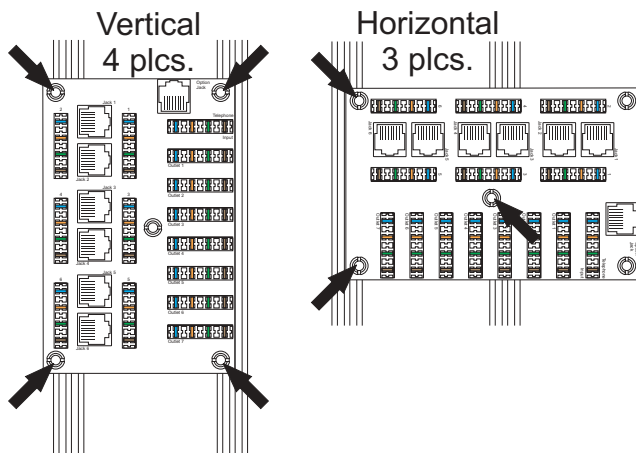
(4) Incoming Telco Lines,
(7) Telephone Outlets,
and (6) Data Ports

[HTTP://www.Resi-Link.com](http://www.Resi-Link.com)

P/n INT7D6R-1

Mounting:

The module can be mounted vertically or horizontally in the Resi-Link™ enclosure line. Four screws are supplied with the module. Use four screws for vertical mounting and three screws for horizontal. The screws fit through the standoffs and are then fastened into the slots in the back of the enclosure (see arrows on diagrams).



Wire Installation:

Caution:

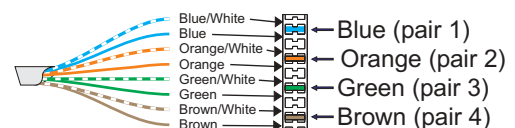
- Never install telephone wiring in wet locations during lightning storms.
- Never touch uninsulated telephone wiring or terminals unless it has been disconnected from the main.

Use of any item or tool other than a 110 punch down tool may damage the contacts or housing of the connector.

Tools Required:

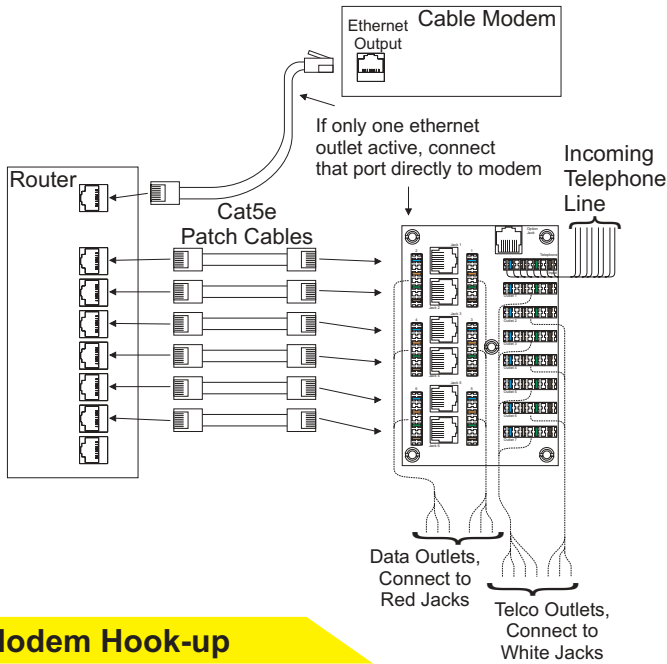
- Phillips Head Screwdriver
- 110 Punch Down Tool
- Wire Cutters

Connect each Cat5e wire to a 110 terminal. Follow standard color codes. Keep the untwisted portion of the pairs as short as possible.

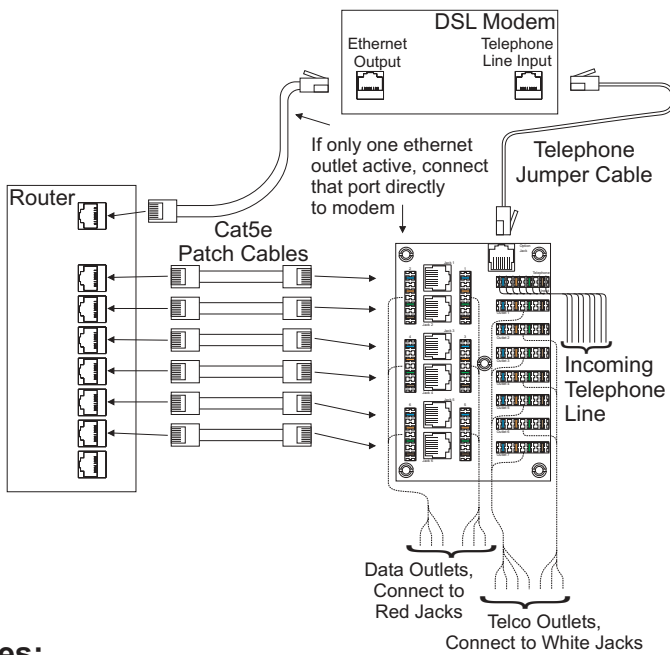


Applications:

Cable Modem Hook-up



DSL Modem Hook-up



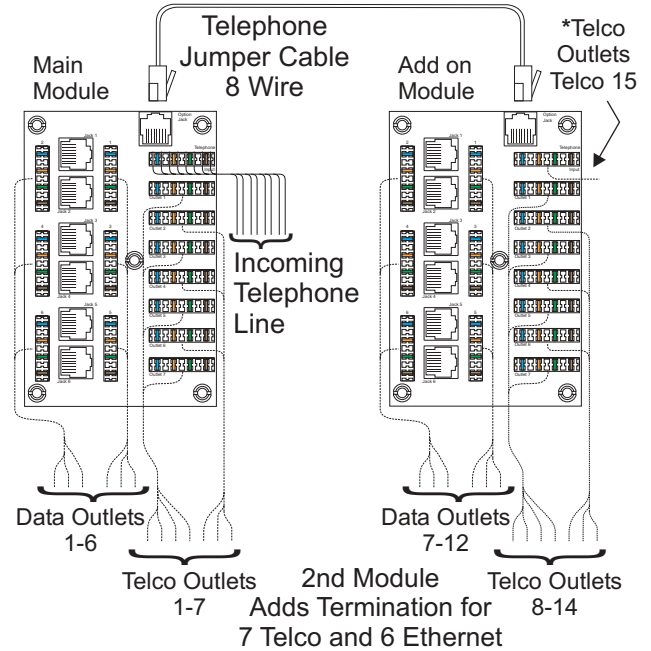
Notes:

Some models of modems have a built-in router. They will be clearly marked "Router". In this case a hub or switch can be substituted for the router in the diagram.

Some of the combined router/modems will also have a hub built in (additional ethernet outlets). Connect the Cat5e patch cables here.

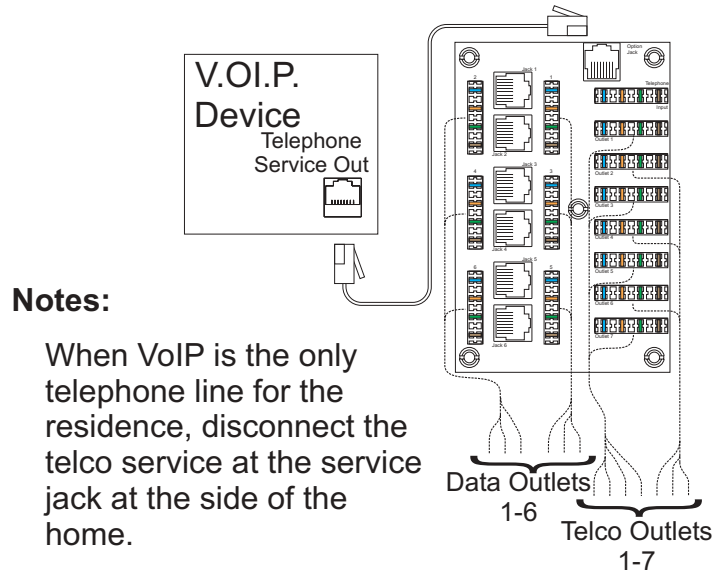
Sometimes it is necessary to add an additional hub for installations with more outlets than the current device can accommodate. When cascading two multiport devices, refer to the devices instructions to determine if a cat5e cross over cable (X cable) is required.

Adding Additional Outlets



*The input 110 connector of the second module can be used for an additional telephone outlet for a total of 17.

VoIP Hook-up



Notes:

When VoIP is the only telephone line for the residence, disconnect the telco service at the service jack at the side of the home.

If the VoIP service will be used as line 2 in conjunction with normal Telco service as line 1, attach a 2 line adapter to the expansion jack on the module and plug the VoIP line into the line 2 port of the adapter.

If 2 VoIP lines are being activated, attach both lines from the VoIP device to the 2 line adapter and plug into the expansion jack.

